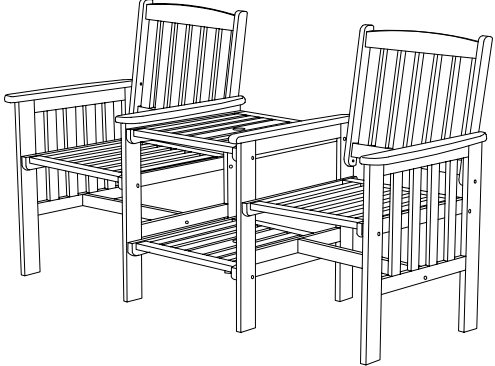


COLOR :



BLACK

\* This is for carton marking reference only. The packing method must be well protect the product.

	<p>DESCRIPTION : BOSTON TETE A TETE REF. NO : FU6680 NW/GW : CTN SIZE :</p> <p>DESCRIPTION : BOSTON TETE A TETE REF. NO : FU6680 NW/GW : CTN SIZE :</p> <p>DESCRIPTION : BOSTON TETE A TETE REF. NO : FU6680 NW/GW : CTN SIZE :</p>	
<p>DESCRIPTION : BOSTON TETE A TETE REF. NO : FU6680 NW/GW : CTN SIZE :</p> <p>DESCRIPTION : BOSTON TETE A TETE REF. NO : FU6680 NW/GW : CTN SIZE :</p>	<p>DESCRIPTION : BOSTON TETE A TETE REF. NO : FU6680 QTY/CTN : 1 PC PER CARTON</p> 	<p>DESCRIPTION : BOSTON TETE A TETE REF. NO : FU6680 NW/GW : CTN SIZE :</p>
	<p>DESCRIPTION : BOSTON TETE A TETE REF. NO : FU6680 NW/GW : CTN SIZE :</p> <p>DESCRIPTION : BOSTON TETE A TETE REF. NO : FU6680 NW/GW : CTN SIZE :</p>	

BARCODE STICKER  
(10x10cm)  
5055773084981



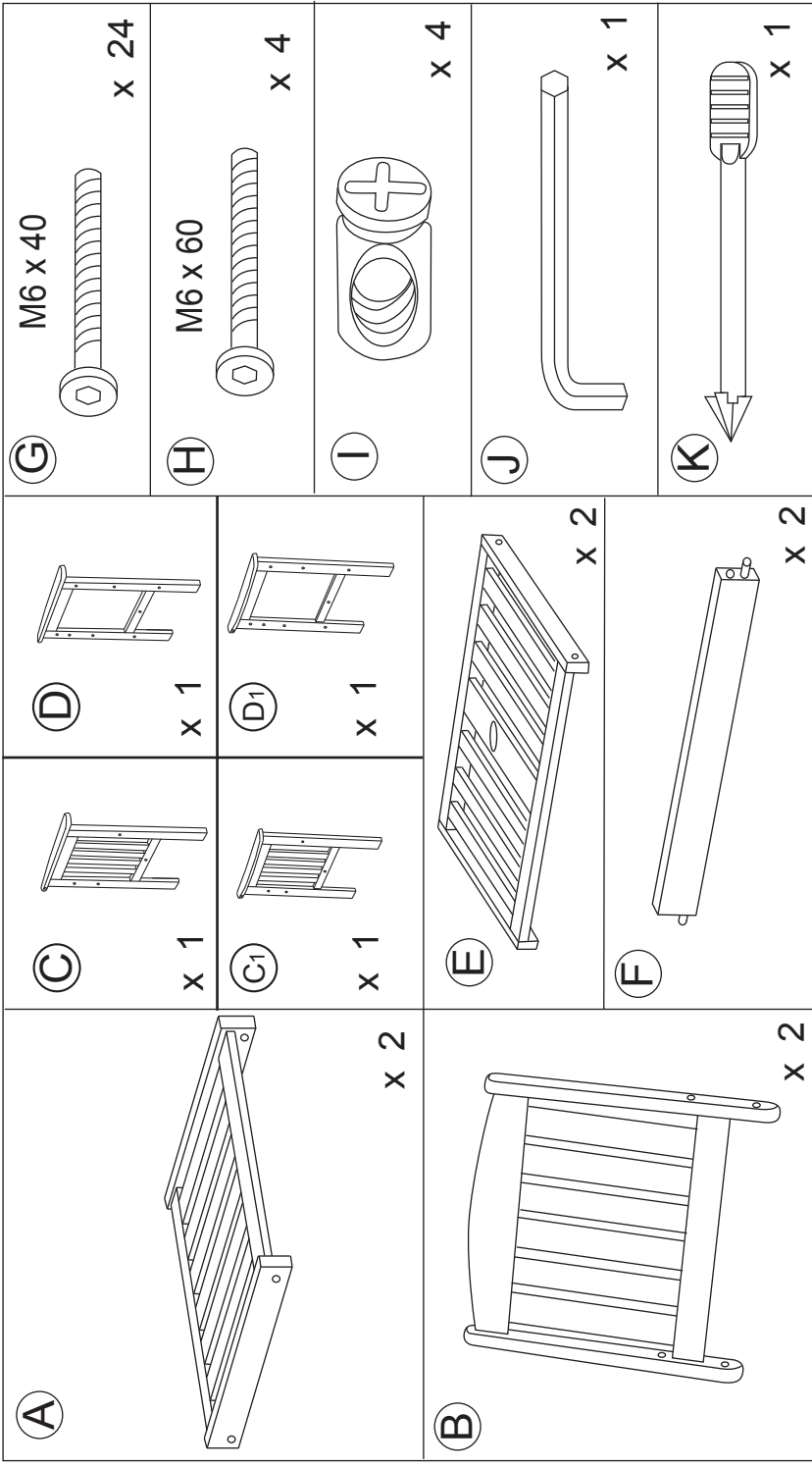
DESCRIPTION : BOSTON TETE A TETE  
REF. NO : FU6680  
NW/GW :  
CTN SIZE :

BARCODE STICKER  
(10x10cm)  
5055773084981

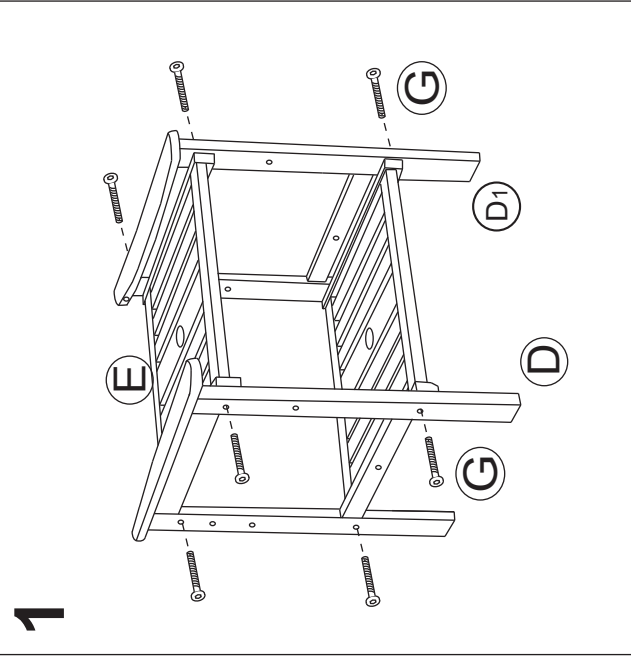
BARCODE STICKER  
(10x10cm)  
5055773084981



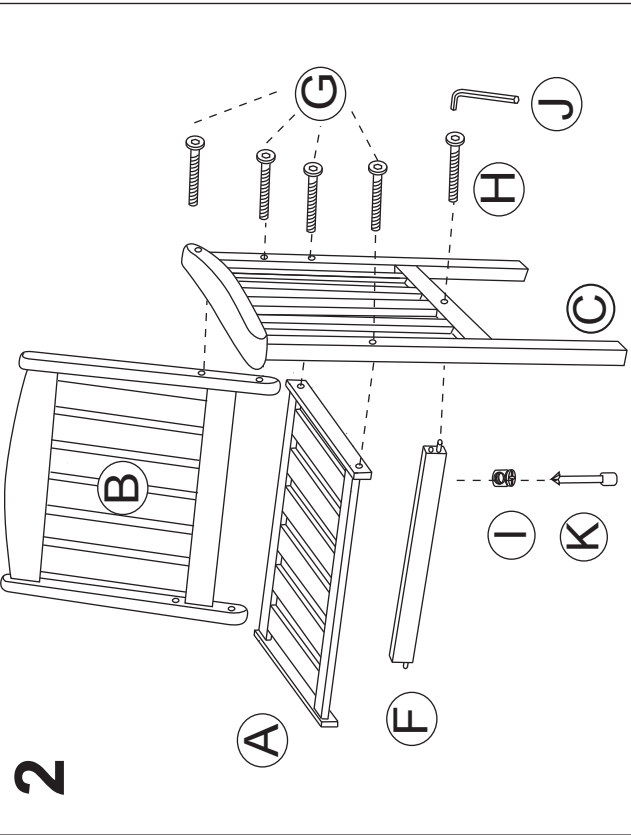
BARCODE STICKER  
(10x10cm)  
5055773084981



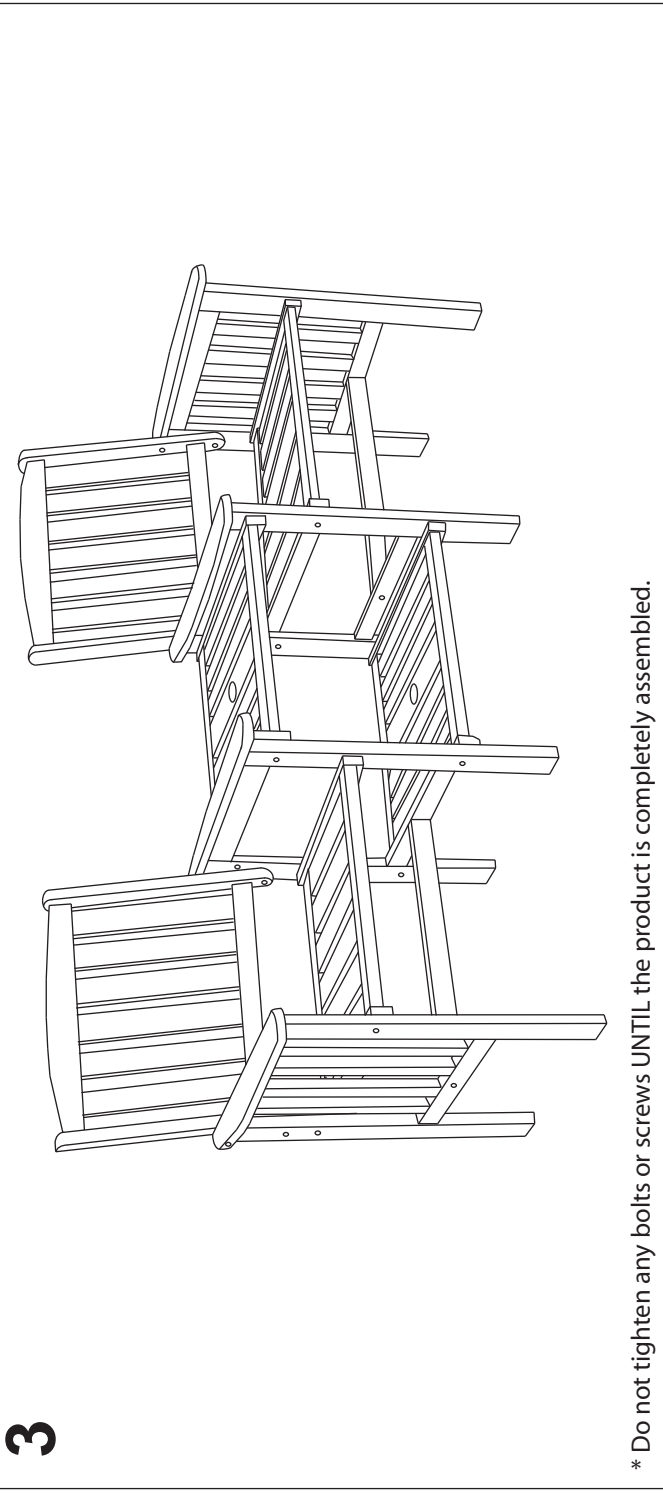
**1**



**2**



**3**



\* Do not tighten any bolts or screws UNTIL the product is completely assembled.